



Bread Lines

02

Bread Line 120 is space saving and has a capacity of 500-1200 pieces/hour.

FOR WHO?

Bakeries.

WHY BREAD LINE 120?



Silent Operation



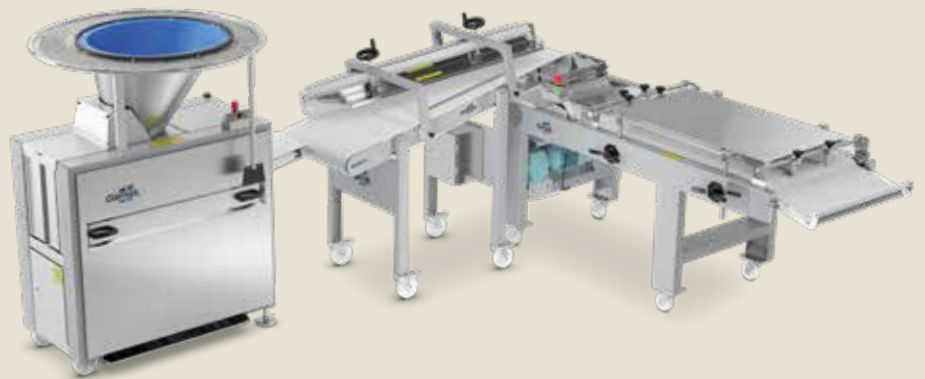
Energy Efficient



Easy to clean

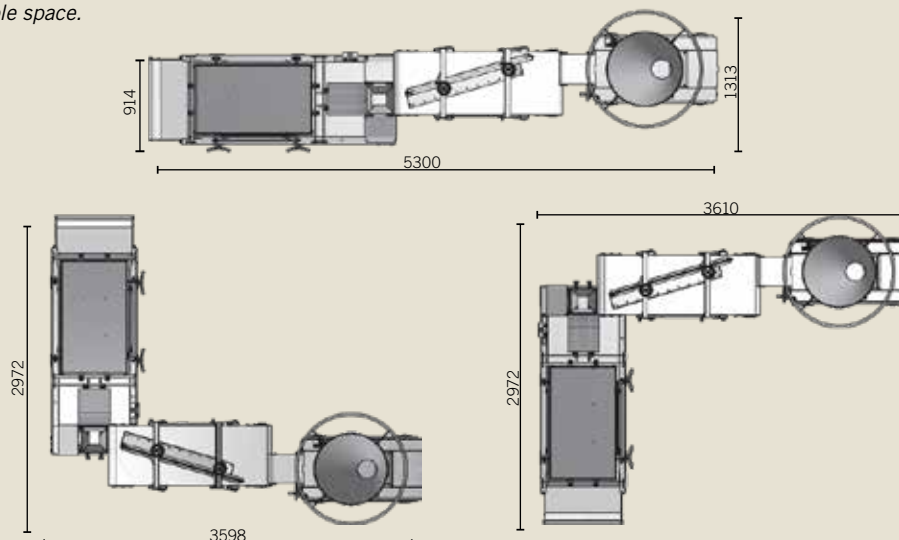


Movable



MEASUREMENTS AND DRAWINGS [MM]

Bread Line 120 can be set up in three different ways depending on preference and available space.



Bread Line

BREAD LINE 120

The Bread Line 120 is a bread line that is easy to adapt to both the layout of the premises and to the bread that is to be baked. Specially made for producing bread without need for an intermediate proofing time. In addition, the entire flow can be easily and safely managed by one person, from start to finish.

FEATURES AND BENEFITS

- Flexible and space saving dough line.
- Specially made for doughs without need for intermediate proofing time.
- Flexible for many types of end product.
- Outstanding for smaller bakeries, entire flow can be handled by one person.

TECHNICAL

Capacity range.....	500-1200 pieces/hour.
Weight range.....	50-1000 g.
Power supply (for component example on this page).....	2.4 kW.

COMPONENTS SET-UP EXAMPLE



SD180XS
Dough Divider with variable speed 500-1200 pcs/h. 90 liter stainless steel hopper. Weight range 50-1000 g.



BR2000
Inclined belt rounder with easily adjustable moulding track for dough weights from 50 up to 1000 g. The moulding track is easy to fold up for cleaning or when it is not in use. Operating side right/left.



M0300S
Moulder with centrally adjustable infeed hopper, curling net and foldable 650 x 1100 mm pressure board. Adjustable side guides and ergonomic collection tray. Operating side right/left.

04

Bread Line 180 is very flexible and space saving. It has a capacity of 750-1800 pieces/hour and a weight range between 100-1500 grams.

FOR WHO?

Bakeries.

WHY BREAD LINE 180?



Silent Operation



Energy Efficient

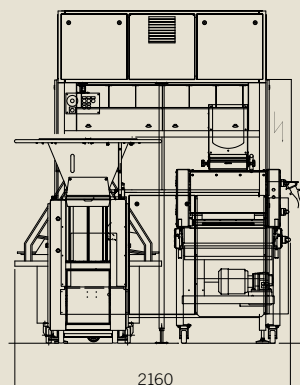
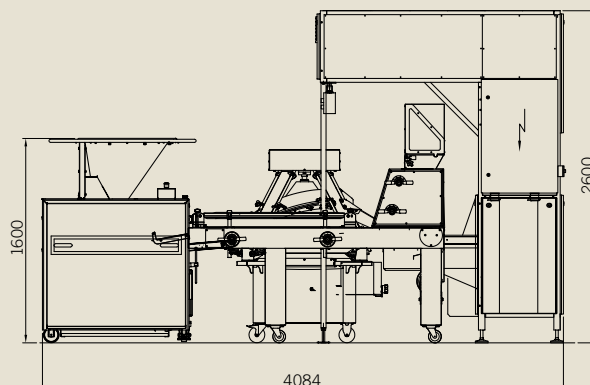


Easy to clean



MEASUREMENTS AND DRAWINGS [MM]

Bread Line 180



Bread Line

BREAD LINE 180

An user-friendly and flexible bread line with high capacity and efficiency. The line, with a capacity of up to 1800 pcs/hour, handles a variety of dough types and bread sizes.

FEATURES AND BENEFITS

- High capacity, up to 1800pcs/h.
- Weight range 100-1500 g.
- For production down to 100 gr a Mini piston and adapter accessory is required.
- Proofing time depending on capacity pcs/h and size of intermediate proofer IPP.
- Labour saving, consistent production.
- Flexible bread line for a variety of doughs and bread types.

TECHNICAL

Capacity range.....	750-1800 pieces/hour.
Weight range.....	100-1500 g.
Power supply (for component example on this page).....	6.38 kW.

COMPONENTS SET-UP EXAMPLE



SD180
Weight range 120-1600 g.
Variable speed with frequency converter 750-1800 pcs/h, 90 liter stainless steel hopper, non-stick coated.



CR360
Centrally adjustable non-stick coated tracks, infeed at 6h, outfeed at 12h, outfeed chute and mechanical flour duster.



IPP6/22
Intermediate Pocket Proofer with 132 effective pockets, single infeed V-belt conveyor L=750 mm. Photocell controlled, non-stick coated, infeed conveyor combined with continuous pocket proofer drive. Variable speed on the proofer. Electric control panel under projecting overhang, electric sockets for Divider, Rounder and Moulder. Max proofing time 4,3 min at 1800 pcs/h.



M0300
Moulder with centrally adjustable infeed in hopper, two pair of rollers, pressure board 650x1100 mm, collection tray.

06

Bread Line 180 Direct is very flexible and space saving. It has a capacity of 750-1800 pieces/hour and a weight range between 120-1600 grams.

FOR WHO?

Bakeries.

WHY BREAD LINE 180 DIRECT?



Silent Operation



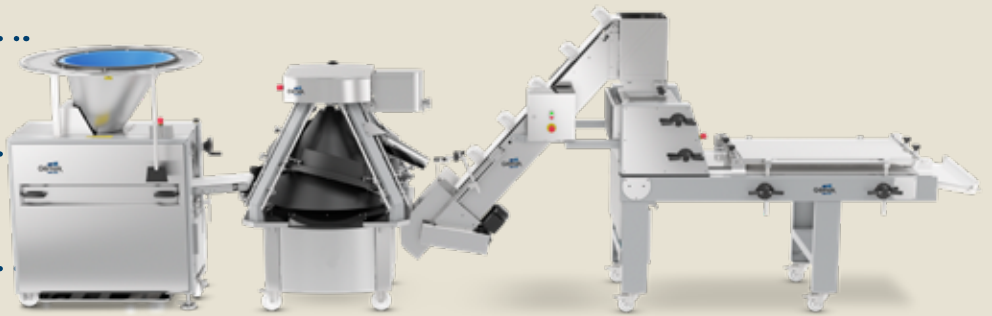
Energy Efficient



Easy to clean

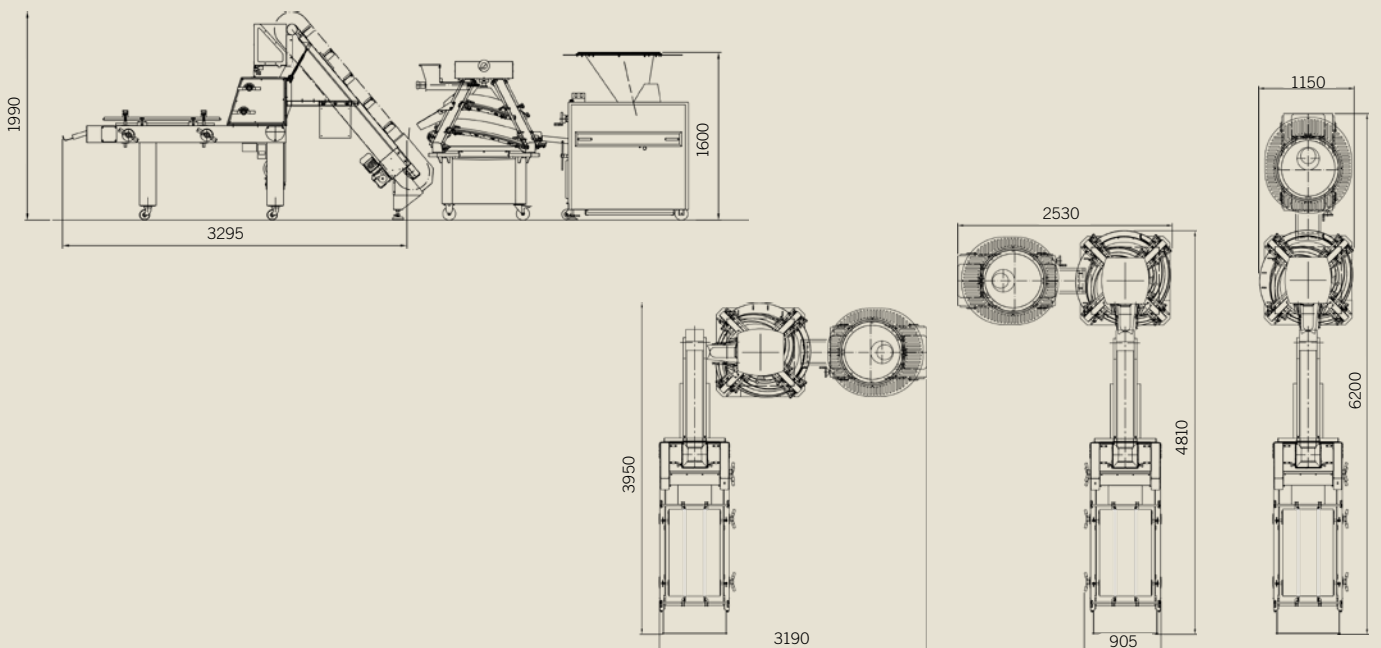


Movable



MEASUREMENTS AND DRAWINGS [MM]

Bread Line 180 Direct



Example 1

Example 2

Example 3

Bread Line

BREAD LINE 180 DIRECT

Specially made for producing bread without need for an intermediate proofing time. A very compact bread line with capacity of up to 1800 pcs/h.

FEATURES AND BENEFITS

- Specially made for producing breads without an intermediate proofing time.
- Very compact bread line with a high capacity - 1800 pcs/h.
- Flexible breadline which handles a variety of doughs.
- Labour, time and space saving bread line.
- Flexible and consistent production.

TECHNICAL

Capacity range.....	750-1800 pieces/hour.
Weight range.....	120-1600 g.
Power supply (for component example on this page).....	3.95 kW.

COMPONENTS SET-UP EXAMPLE



SD180
 Weight range 120-1600 g.
 Variable speed with frequency converter 750-1800 pcs/h, 90 liter stainless steel hopper, non-stick coated.



CR360
 Centrally adjustable non-stick coated tracks, infeed at 6h, outfeed at 12h, outfeed chute and mechanical flour duster.



CE100
 Mounted on moulder M0300, photocell controlled, working step by step to link up cone rounder with Moulder, including electrical cabinet mounted on elevator.
 Weight range: 50-1500 g.



M0300
 Moulder with centrally adjustable infeed in hopper, two pair of rollers, pressure board 650x1100 mm, collection tray.

Bread Line 300 is made for heavy-duty industrial work. It has a capacity up to 3000 pieces/hour and a weight range between 100-1500 grams.

FOR WHO?

Semi-Industrial Bakeries.
Industrial Bakeries.

WHY BREAD LINE 300 DIRECT?



Silent Operation



Energy Efficient

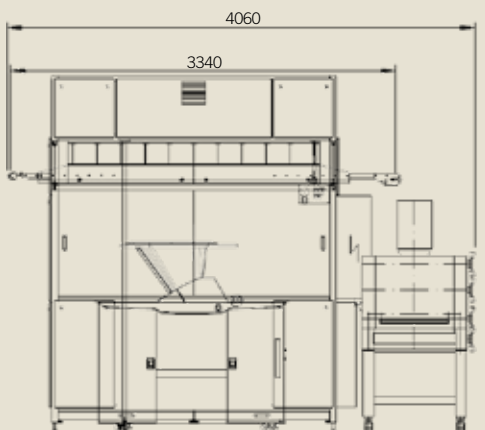


Easy to clean

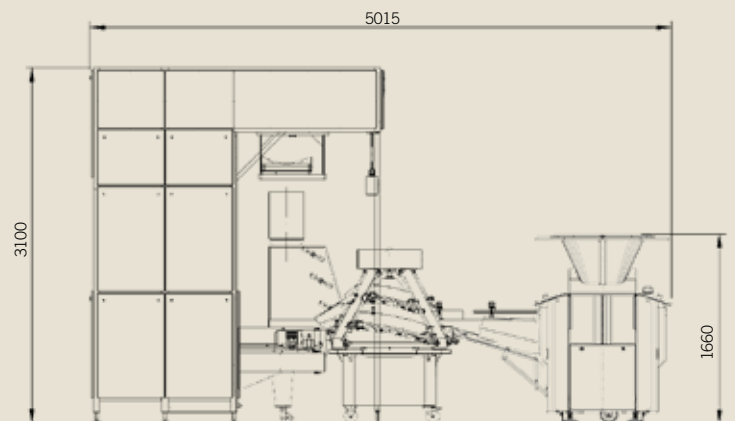


MEASUREMENTS AND DRAWINGS [MM]

*Bread Line 300 /
Bread Line 300 Stainless Steel*



Front



Side

Industrial Bread Line

BREAD LINE 300

Heavy-duty bread line. All machines are designed for continual bread processing and made of high quality materials that ensures excellent baking results. Flexible choice between SD300 or SD600 with stainless steel frame.

FEATURES AND BENEFITS

Capacity up to 3000 pcs/h.

Weight range 100-1500 gr.

Proofing time depending on capacity pcs/h and size of intermediate proofer IPP.

TECHNICAL

SD300 + CR360 + IPP10/48 + M0881 (Basic execution)	
Power supply	6.63 kW.
Compressed air	6 bar.
SD300 + CR360* + IPP10/48 + M0881* (Basic execution)	
Power supply	6.63 kW.
Compressed air	6 bar.
SD600 + CR360 + IPP10/48 + M0881 (Basic execution)	
Power supply	8.63 kW.
Compressed air	6 bar.
SD600 + CR360* + IPP10/48 + M0881* (Basic execution)	
Power supply	8.63 kW.
Compressed air	6 bar.

* With stainless steel frame.

COMPONENTS SET-UP EXAMPLE



SD300

Capacity 1500-3000 pcs/h and weight range 150-1150 gr as 2-pocket, capacity 750-1500 pcs/h and weight range 250-2300 gr as 1-pocket. Variable speed with frequency converter, PLC Touch screen panel, 90 liter stainless steel hopper, non-stick coated.



SD600

Stainless steel multi pocket divider, weight range 150-1000 gr as 3-pocket and 250-1700/100-700 gr as 2/4 pocket. Variable speed with frequency converter, PLC Touch screen panel, 100 liter stainless steel hopper, non-stick coated.



CR360

with centrally adjustable non-stick coated tracks, infeed at 6h, outfeed at 12h, outfeed chute and mechanical flour duster.



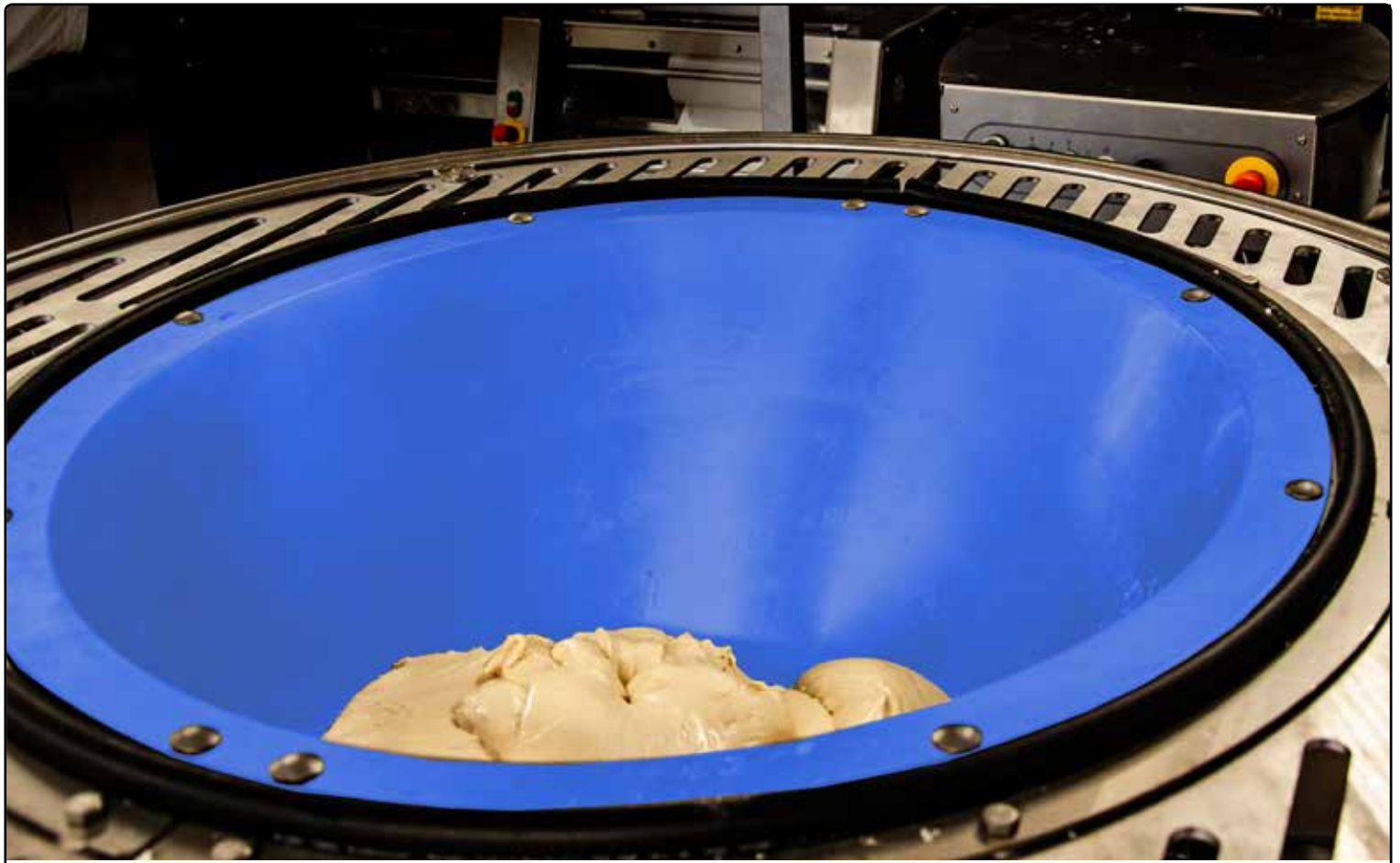
IPP10/48

With dual infeed conveyor L = 750 mm, centrally placed, photocell controlled, non-stick coated infeed V-belt conveyors. Flap system guides the dough pieces after the rounder. Compressed air is required, 6 bar. Variable speed on the proofer. Electric control panel under projecting overhang, electric sockets for divider, rounder and moulder, outfeed cross conveyor. Proofing time 9,3 min at 3000 pcs/h.



M0881

Heavy duty moulder with centrally adjustable infeed in the hopper, three pair of rollers, timing belt drive, two separate pressure boards and collection tray.





Our story

We provide customized baking solutions, dough handling equipment systems and complete bread lines for professional baking businesses.

We offer reliable technology with precision control and flexibility regarding weights and types of dough and also user-friendly design that gives baking professionals creative freedom at the lowest cost of ownership.

Sveba Dahlen AB
Industrivägen 8
513 82 Fristad, Sweden
www.sveba-dahlen.com
info@glimek.com

